

The Technical Note is pertinent to the FXM5 Family

This technical note covers the specifications for the high current models of the FXM5 field current regulator. Included are field current programming tables and dimensional drawings not included in the standard user guide.

Catalog Number	Current (max. amps)	Frequency (Hz)	Input Voltage (vac)	Output Voltage** (vdc)
9500-9035	20	50	220/380/440	198/342/396
		60	240/480	216/432
9500-9032	50	50	220/380/440	198/342/396
		60	240/480	216/432
9500-9033	90	50	220/380/440	198/342/396
		60	240/480	216/432

\*\* Maximum output voltage equals 90% of the input line voltage.  
Field current is the controlled variable

**Refer the supplied User Guide typical Installation and setup information for all of the above listed models.**

All of the FXM5 models may be operated in the analog, stand-alone mode, or the digital mode, controlled directly by the Quantum III / Mentor II DC Drive. The field current programming tables for the 10/20-amp model (9500-9035) are covered in the standard User Guide. The field current programming tables for other models will be given in this document.

### Analog Mode:

Maximum 9500-9032	Current (amps) 9500-9033	Primary Turns	LK1 Position
50	100	1	20Np
45	90	1	15Np

Potentiometer RV2, set max field, is used to set 0 to Max Current (in table above).

### Digital Mode:

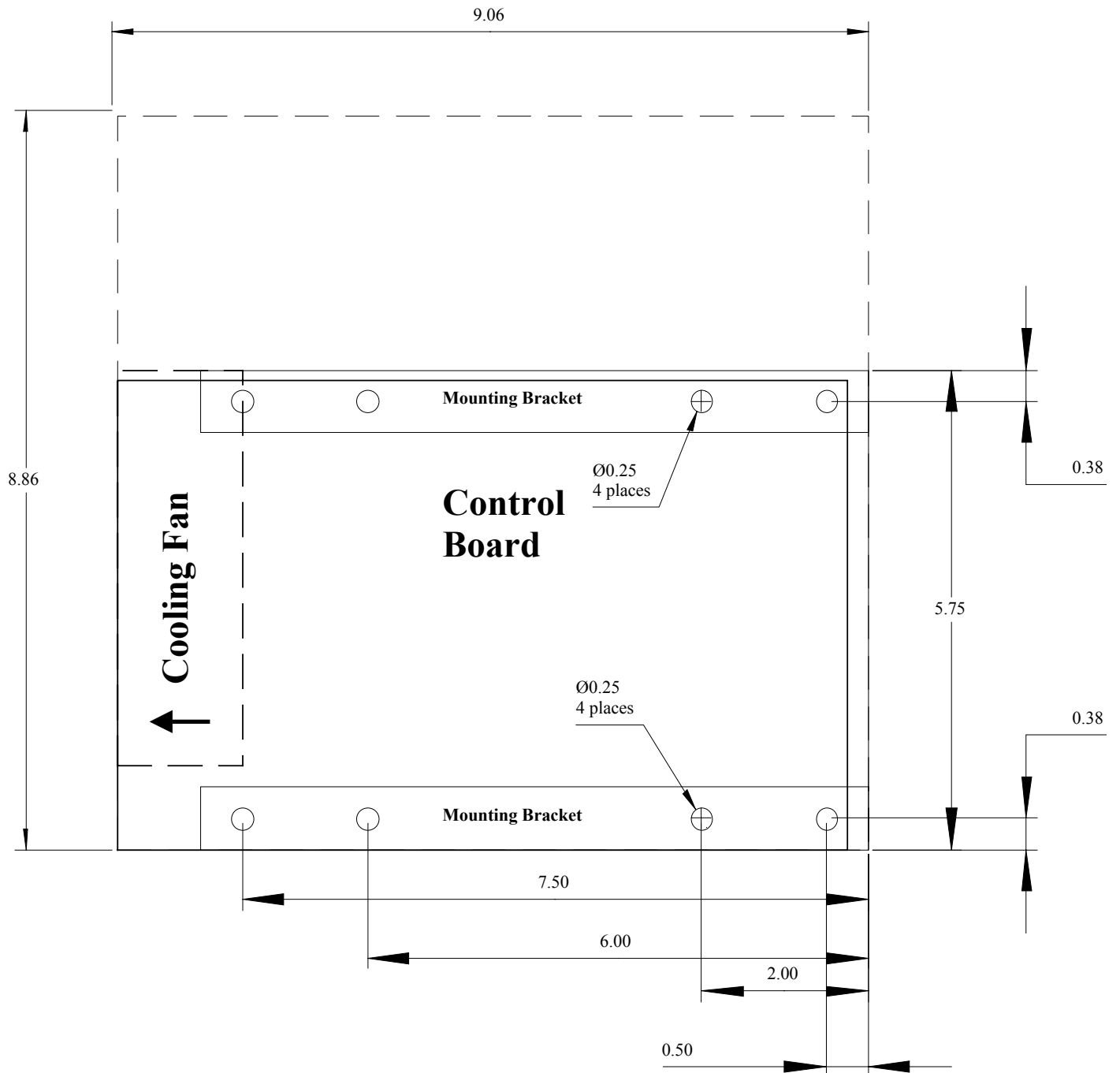
Maximum 9500-9032	Current (amps) 9500-9033	Primary Turns	LK1 Position	Parameter #6.11
33	66	1	15Np	11
40	80	1	20Np	16
45	90	1	20Np	18
50	100	1	20Np	20

Parameter #6.08, max field current, is used to set 0 to Max current (in table above).

**Dimensions:**

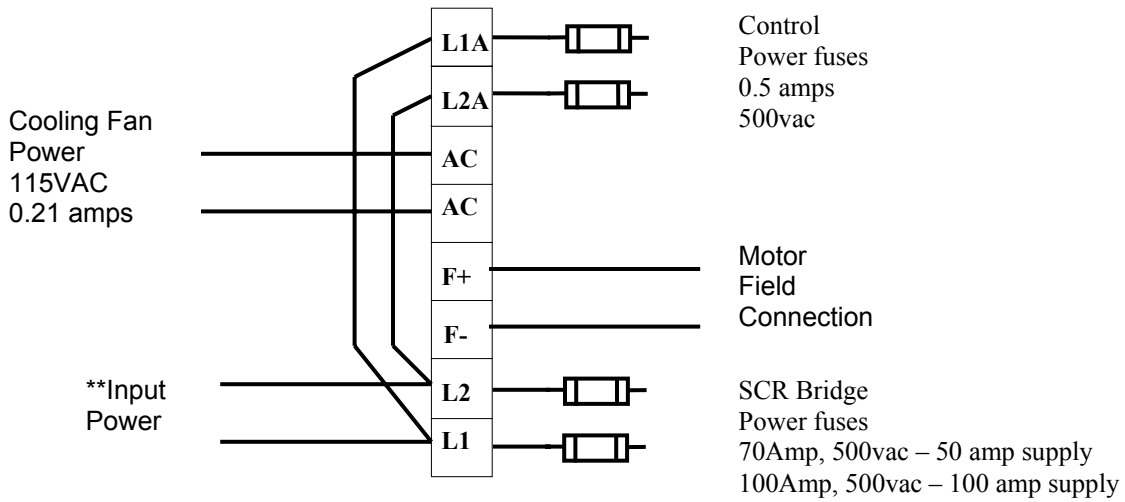
9500-9035      Dimensions for this model available in FXM5 User Guide.

9500-9032/9033



**All Dimensions are approximate, not for construction**

## Electrical Connections: Power



**Note:** If field supply is operated in the digital mode, L1 must be connected to L1 of the Quantum III / Mentor II and L2 must be connected to L3 of the Quantum III / Mentor II.

